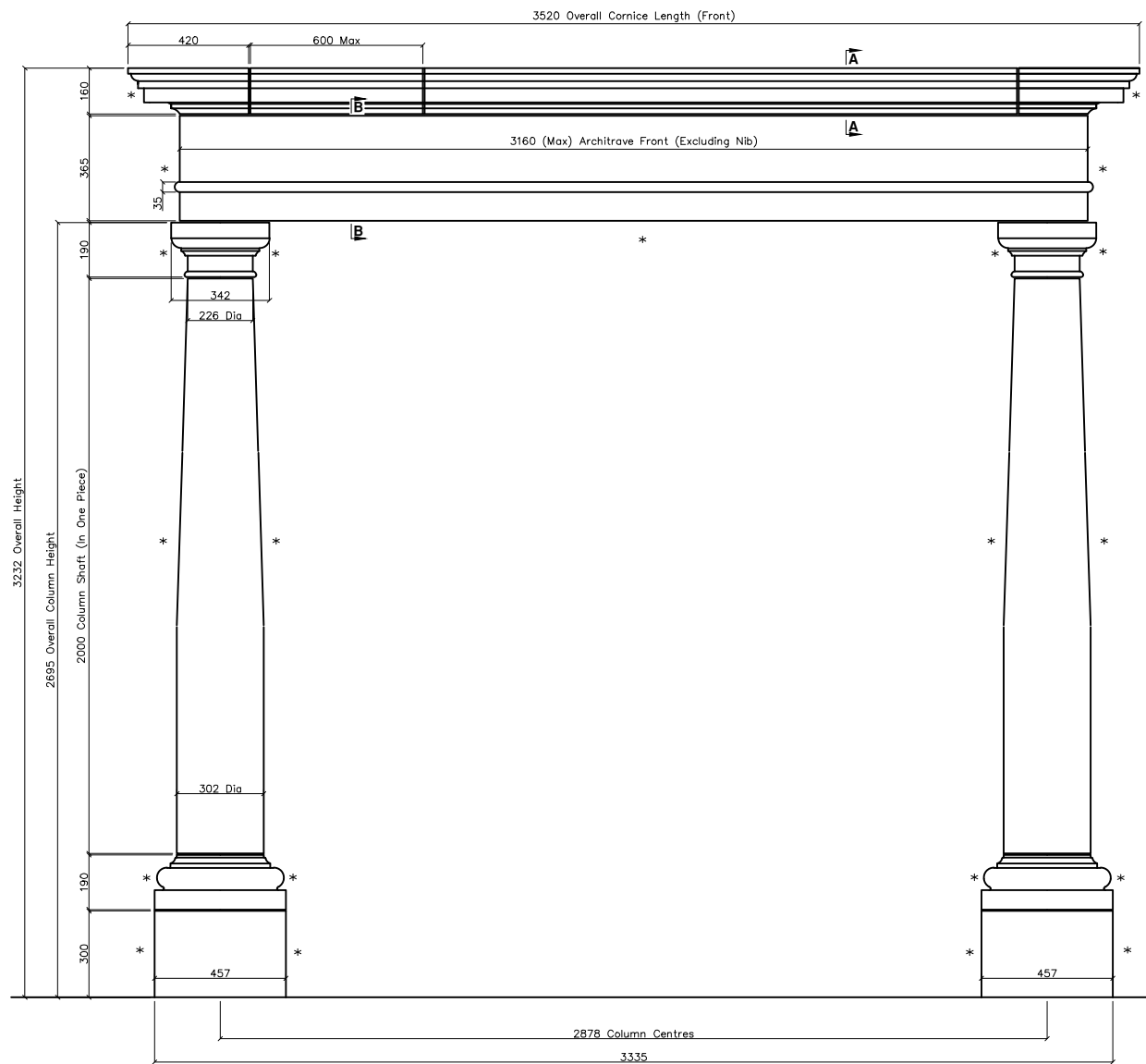
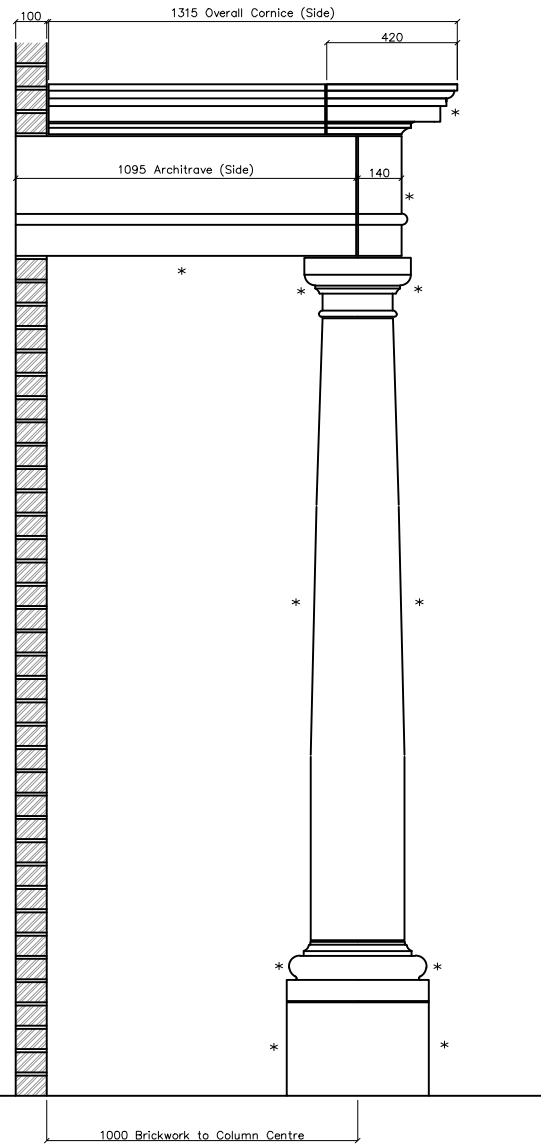


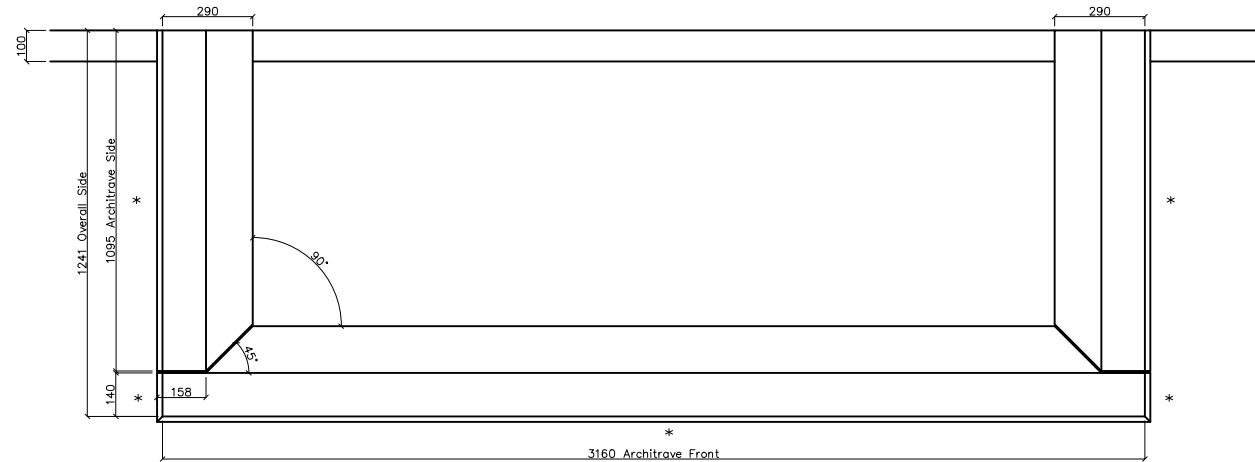
# STANDARD WETCAST PORTICO - TECHNICAL DATA SHEET



**Front Elevation**  
\* denotes SEEN FACES

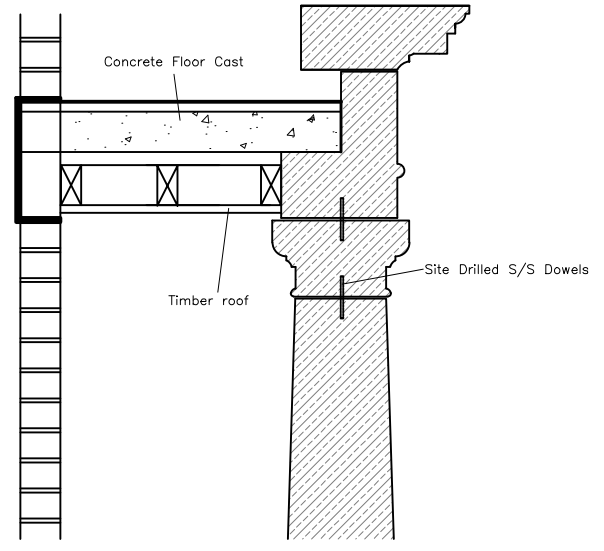


**Side Elevation**  
\* denotes SEEN FACES  
Left Hand Shown, Right Hand OPP

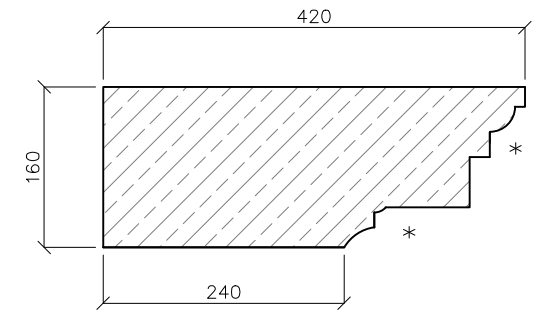


**Plan View - Architrave**  
\* denotes SEEN FACES

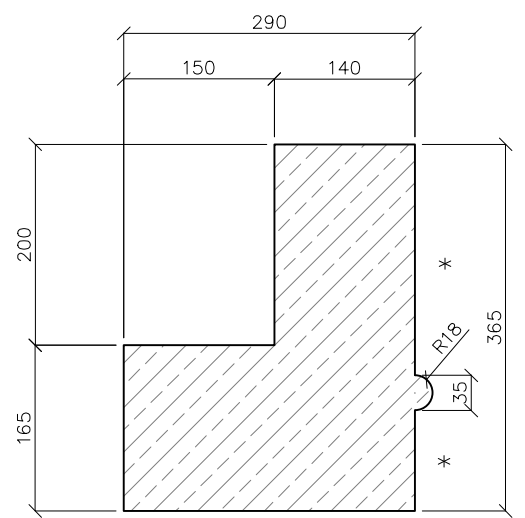
Serene Stone Ltd accept no responsibility for the structural integrity of concrete and steel reinforcing. The details shown are indicative, or for recommendation purposes only and should be designed/checked and approved by a qualified Structural Engineer.



**Indicative Fixing Detail**  
(Actual fixing may differ, consult your installer)



**Section A-A**  
\* denotes SEEN FACES



**Section B-B**  
\* denotes SEEN FACES



Project/Site Address:  
**SERENE STONE LIMITED**  
**TECHNICAL DATA SHEET**

Drawing Title:  
**STANDARD WETCAST**  
**PORTICO**

Drawn: JJB | Date: 10/2018 | Scale: NTS

Drawing Ref: **SSP-088** | Rev: **0**