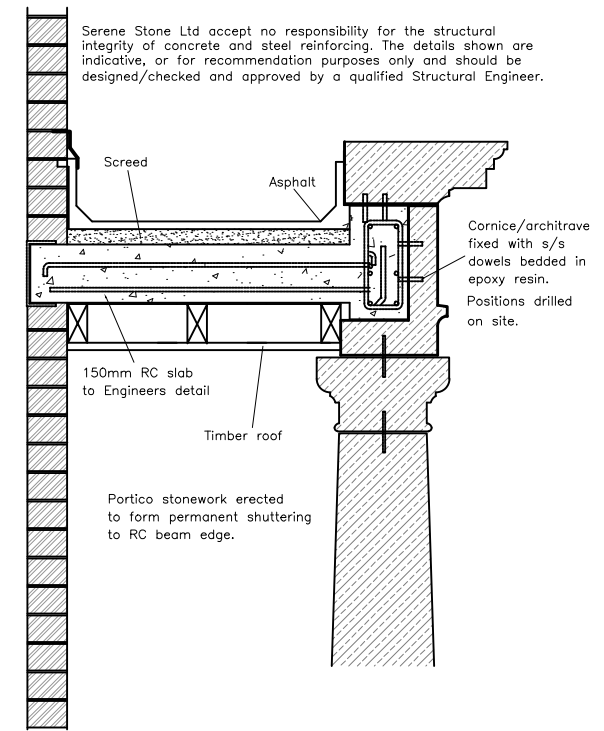
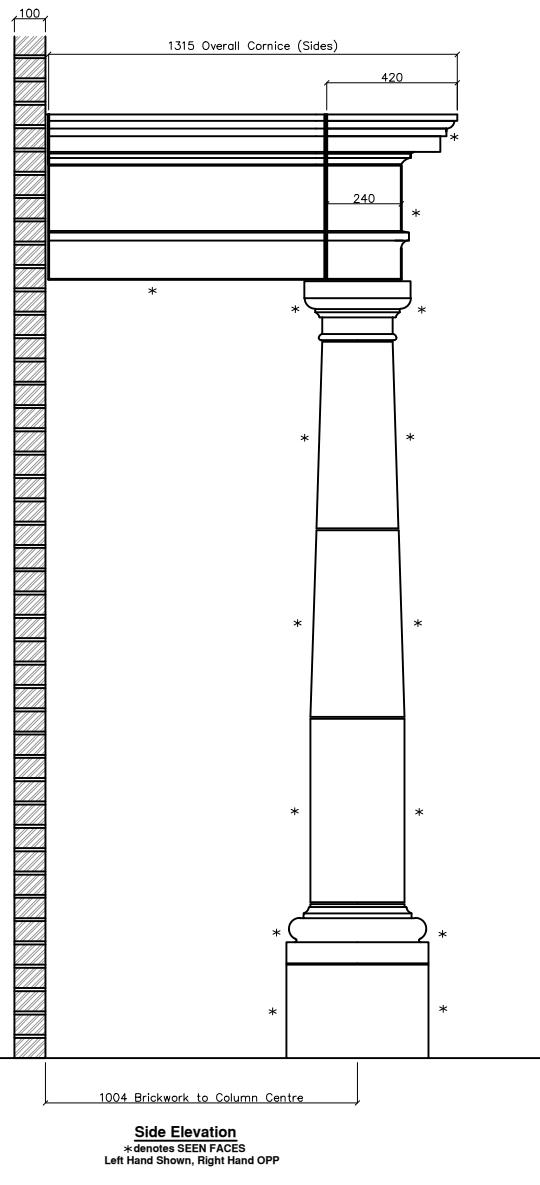
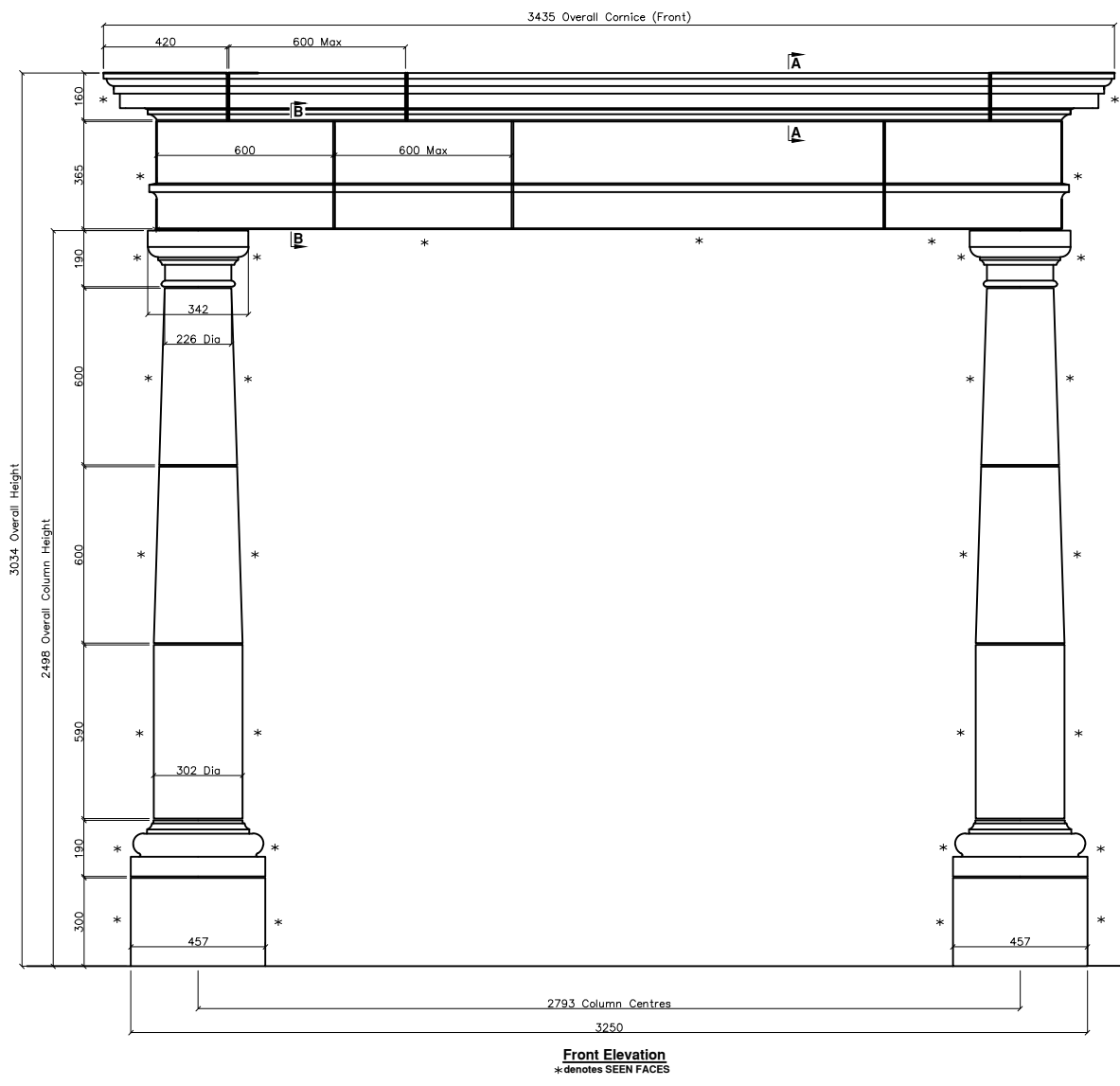
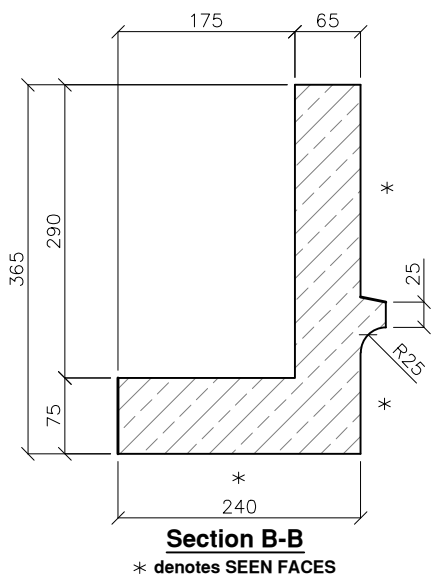
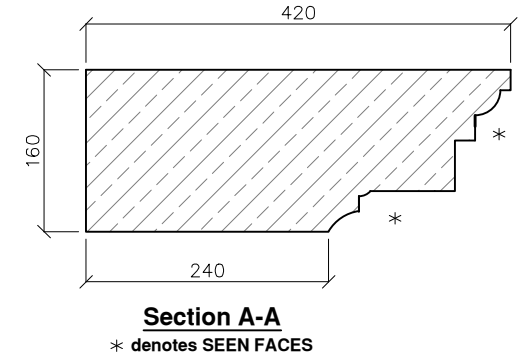


STANDARD SEMI DRY PORTICO - TECHNICAL DATA SHEET



Indicative Fixing Detail
(Actual fixing may differ, consult your installer)



Project/Site Address:
SERENE STONE LIMITED
TECHNICAL DATA SHEET

Drawing Title:
STANDARD SEMI DRY
PORTICO

Drawn: JJB	Date: 10/2018	Scale: NTS
Drawing Ref: SSP-089	Rev: 0	