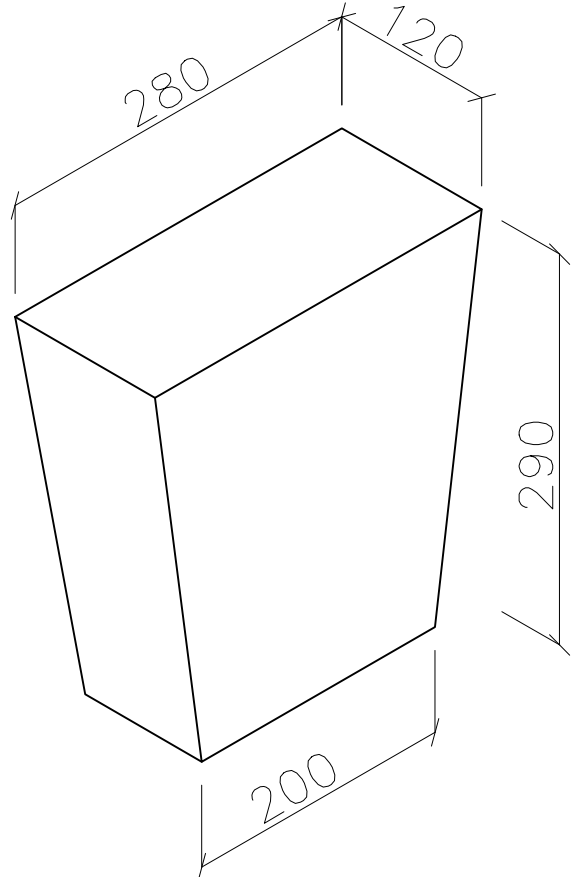


Clipover Keystone



Solid Keystone

Product Specification

Wetcast Stone

Strength: >45N/mm²
Typical Density: 2500Kg/m³
Drying Shrinkage: <0.04%
Water Absorption: 0.09mg/mm²

Semi Dry Stone

Strength: >28N/mm²
Typical Density: 2000Kg/m³
Drying Shrinkage: <0.04%
Water Absorption: 0.95mg/mm²



Project/Site Address:
SERENE STONE LIMITED
TECHNICAL DATA SHEET

Drawing Title:
KEYSTONES

Drawn: JJB	Date: 10/2018	Scale: NTS
------------	---------------	------------

Drawing Ref: SSP-087	Rev: 0
--------------------------------	------------------