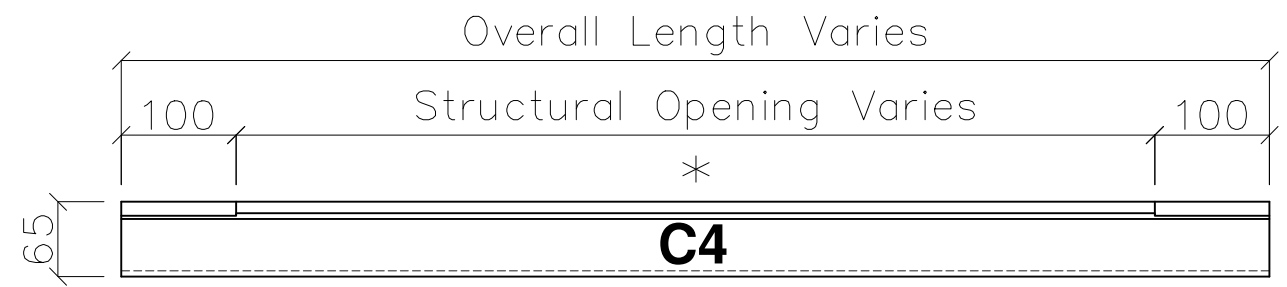
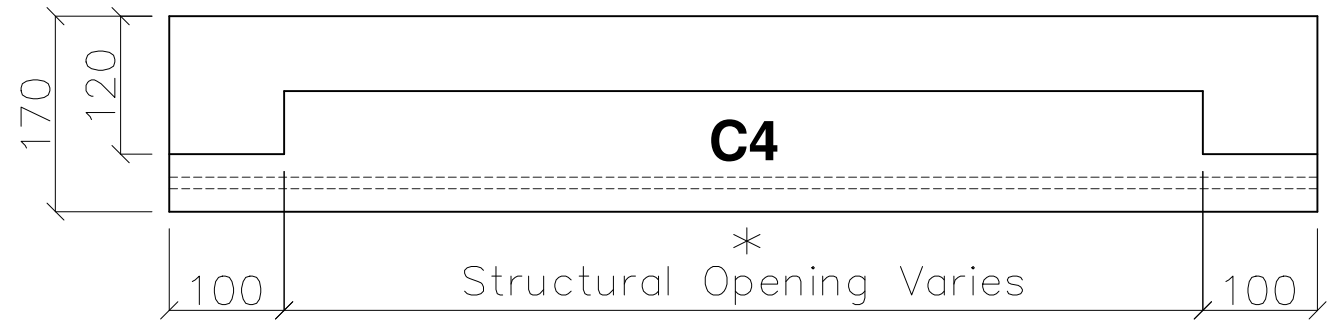


C4 STOOLED CILL FOR BRICKWORK - TECHNICAL DATA SHEET



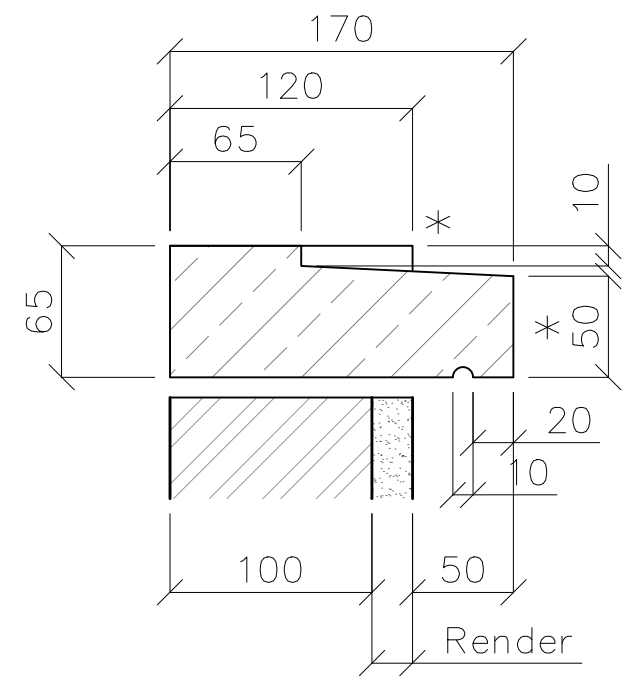
Front Elevation

* denotes SEEN FACES



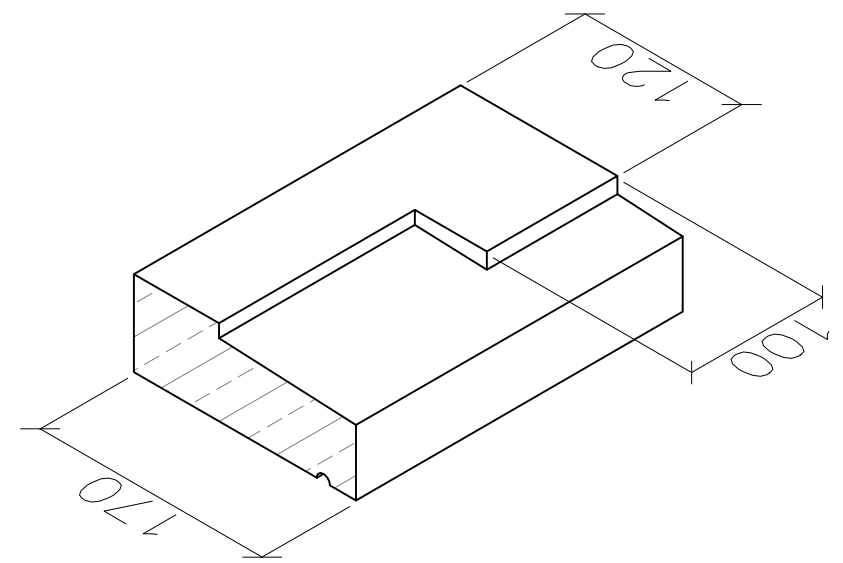
Plan View

* denotes SEEN FACES



Section

* denotes SEEN FACES



Product Specification

Wetcast Stone
Strength: >45N/mm²
Typical Density: 2500Kg/m³
Drying Shrinkage: <0.04%
Water Absorption: 0.09mg/mm²

Semi Dry Stone
Strength: >28N/mm²
Typical Density: 2000Kg/m³
Drying Shrinkage: <0.04%
Water Absorption: 0.95mg/mm²

SEMI DRY - Maximum length in 1 piece = 1200mm
 WETCAST - Maximum length in 1 piece = 1500mm



Project/Site Address:		
SERENE STONE LIMITED		
TECHNICAL DATA SHEET		
Drawing Title:		
C4 STOOLED CILL FOR RENDER		
Drawn: JJB	Date: 08/2017	Scale: NTS
Drawing Ref:	Rev:	
SSP-004	0	